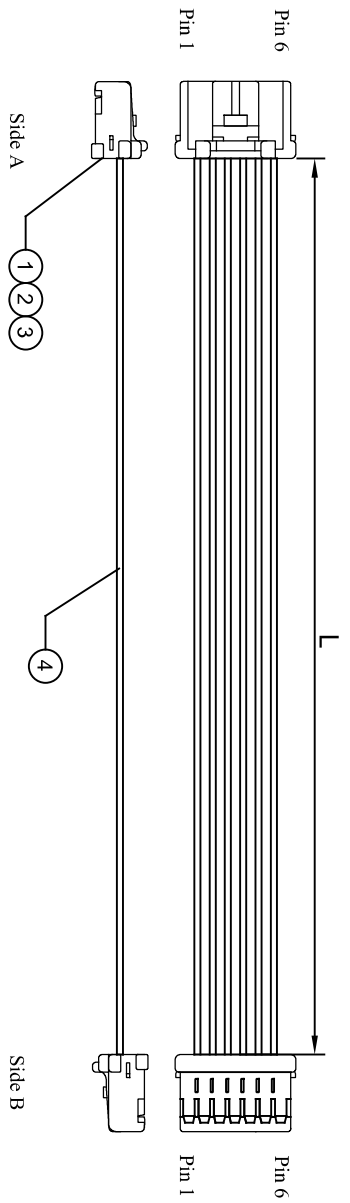


REV.	CHANG DESCRIPTION	BY	DATE
A	NEW RELEASE	MW	260317

**WITH RETAINER**



CKTS	ASSY P/N	L(MM)	Tolerance	PNIRP-02V-S	PNIRP-02V-S	PNIS-02V	Retainer
2	CB030044-021	100	±6	PNIRP-02V-S	PNIRP-02V-S	PNIS-02V	
2	CB030044-022	200	±8	PNIRP-02V-S	PNIRP-02V-S	PNIS-02V	
2	CB030044-023	300	±8	PNIRP-02V-S	PNIRP-02V-S	PNIS-02V	
2	CB030044-024	500	±10	PNIRP-02V-S	PNIRP-02V-S	PNIS-02V	
2	CB030044-025	1000	±10	PNIRP-02V-S	PNIRP-02V-S	PNIS-02V	
2	CB030044-031	100	±6	PNIRP-03V-S	PNIRP-03V-S	PNIS-03V	
3	CB030044-032	200	±8	PNIRP-03V-S	PNIRP-03V-S	PNIS-03V	
3	CB030044-033	300	±8	PNIRP-03V-S	PNIRP-03V-S	PNIS-03V	
3	CB030044-034	500	±10	PNIRP-03V-S	PNIRP-03V-S	PNIS-03V	
3	CB030044-035	1000	±10	PNIRP-03V-S	PNIRP-03V-S	PNIS-03V	
4	CB030044-041	100	±6	PNIRP-04V-S	PNIRP-04V-S	PNIS-04V	
4	CB030044-042	200	±8	PNIRP-04V-S	PNIRP-04V-S	PNIS-04V	
4	CB030044-043	300	±8	PNIRP-04V-S	PNIRP-04V-S	PNIS-04V	
4	CB030044-044	500	±10	PNIRP-04V-S	PNIRP-04V-S	PNIS-04V	
4	CB030044-045	1000	±10	PNIRP-04V-S	PNIRP-04V-S	PNIS-04V	
4	CB030044-051	100	±6	PNIRP-05V-S	PNIRP-05V-S	PNIS-05V	
5	CB030044-052	200	±8	PNIRP-05V-S	PNIRP-05V-S	PNIS-05V	
5	CB030044-053	300	±8	PNIRP-05V-S	PNIRP-05V-S	PNIS-05V	
5	CB030044-054	500	±10	PNIRP-05V-S	PNIRP-05V-S	PNIS-05V	
5	CB030044-055	1000	±10	PNIRP-05V-S	PNIRP-05V-S	PNIS-05V	
6	CB030044-061	100	±6	PNIRP-06V-S	PNIRP-06V-S	PNIS-06V	
6	CB030044-062	200	±8	PNIRP-06V-S	PNIRP-06V-S	PNIS-06V	
6	CB030044-063	300	±8	PNIRP-06V-S	PNIRP-06V-S	PNIS-06V	
6	CB030044-064	500	±10	PNIRP-06V-S	PNIRP-06V-S	PNIS-06V	
6	CB030044-065	1000	±10	PNIRP-06V-S	PNIRP-06V-S	PNIS-06V	
7	CB030044-071	100	±6	PNIRP-07V-S	PNIRP-07V-S	PNIS-07V	
7	CB030044-072	200	±8	PNIRP-07V-S	PNIRP-07V-S	PNIS-07V	
7	CB030044-073	300	±8	PNIRP-07V-S	PNIRP-07V-S	PNIS-07V	
7	CB030044-074	500	±10	PNIRP-07V-S	PNIRP-07V-S	PNIS-07V	
7	CB030044-075	1000	±10	PNIRP-07V-S	PNIRP-07V-S	PNIS-07V	
8	CB030044-081	100	±6	PNIRP-08V-S	PNIRP-08V-S	PNIS-08V	
8	CB030044-082	200	±8	PNIRP-08V-S	PNIRP-08V-S	PNIS-08V	
8	CB030044-083	300	±8	PNIRP-08V-S	PNIRP-08V-S	PNIS-08V	
8	CB030044-084	500	±10	PNIRP-08V-S	PNIRP-08V-S	PNIS-08V	
8	CB030044-085	1000	±10	PNIRP-08V-S	PNIRP-08V-S	PNIS-08V	

CKTS	ASSY P/N	L(MM)	Tolerance	PNIRP-09V-S	PNIRP-09V-S	PNIS-09V	Retainer
9	CB030044-091	100	±6	PNIRP-09V-S	PNIRP-09V-S	PNIS-09V	
9	CB030044-092	200	±8	PNIRP-09V-S	PNIRP-09V-S	PNIS-09V	
9	CB030044-093	300	±8	PNIRP-09V-S	PNIRP-09V-S	PNIS-09V	
9	CB030044-094	500	±10	PNIRP-09V-S	PNIRP-09V-S	PNIS-09V	
9	CB030044-095	1000	±10	PNIRP-09V-S	PNIRP-09V-S	PNIS-09V	
10	CB030044-101	100	±6	PNIRP-10V-S	PNIRP-10V-S	PNIS-10V	
10	CB030044-102	200	±8	PNIRP-10V-S	PNIRP-10V-S	PNIS-10V	
10	CB030044-103	300	±8	PNIRP-10V-S	PNIRP-10V-S	PNIS-10V	
10	CB030044-104	500	±10	PNIRP-10V-S	PNIRP-10V-S	PNIS-10V	
10	CB030044-105	1000	±10	PNIRP-10V-S	PNIRP-10V-S	PNIS-10V	

SIDE A	SIDE B	Housing P/N
—	—	PNIRP-02V-S
—	—	PNIRP-03V-S
—	—	PNIRP-04V-S
—	—	PNIRP-05V-S
—	—	PNIRP-06V-S
—	—	PNIRP-07V-S
—	—	PNIRP-08V-S
—	—	PNIRP-09V-S
—	—	PNIRP-10V-S

WIRE CHART: (Black Wire)

REMARK:  
 1) ROHS 2.0 COMPLIANT.  
 2) MEET IPC-620 SPECIFICATION.

CKTS	ASSY P/N	L(MM)	Tolerance	PNIRP-04V-S	PNIRP-04V-S	PNIS-04V	Retainer
2	CB030044-021	100	±6	PNIRP-04V-S	PNIRP-04V-S	PNIS-04V	
2	CB030044-022	200	±8	PNIRP-04V-S	PNIRP-04V-S	PNIS-04V	
2	CB030044-023	300	±8	PNIRP-04V-S	PNIRP-04V-S	PNIS-04V	
2	CB030044-024	500	±10	PNIRP-04V-S	PNIRP-04V-S	PNIS-04V	
2	CB030044-025	1000	±10	PNIRP-04V-S	PNIRP-04V-S	PNIS-04V	
2	CB030044-031	100	±6	PNIRP-03V-S	PNIRP-03V-S	PNIS-03V	
3	CB030044-032	200	±8	PNIRP-03V-S	PNIRP-03V-S	PNIS-03V	
3	CB030044-033	300	±8	PNIRP-03V-S	PNIRP-03V-S	PNIS-03V	
3	CB030044-034	500	±10	PNIRP-03V-S	PNIRP-03V-S	PNIS-03V	
3	CB030044-035	1000	±10	PNIRP-03V-S	PNIRP-03V-S	PNIS-03V	
4	CB030044-041	100	±6	PNIRP-04V-S	PNIRP-04V-S	PNIS-04V	
4	CB030044-042	200	±8	PNIRP-04V-S	PNIRP-04V-S	PNIS-04V	
4	CB030044-043	300	±8	PNIRP-04V-S	PNIRP-04V-S	PNIS-04V	
4	CB030044-044	500	±10	PNIRP-04V-S	PNIRP-04V-S	PNIS-04V	
4	CB030044-045	1000	±10	PNIRP-04V-S	PNIRP-04V-S	PNIS-04V	
4	CB030044-051	100	±6	PNIRP-05V-S	PNIRP-05V-S	PNIS-05V	
5	CB030044-052	200	±8	PNIRP-05V-S	PNIRP-05V-S	PNIS-05V	
5	CB030044-053	300	±8	PNIRP-05V-S	PNIRP-05V-S	PNIS-05V	
5	CB030044-054	500	±10	PNIRP-05V-S	PNIRP-05V-S	PNIS-05V	
5	CB030044-055	1000	±10	PNIRP-05V-S	PNIRP-05V-S	PNIS-05V	
6	CB030044-061	100	±6	PNIRP-06V-S	PNIRP-06V-S	PNIS-06V	
6	CB030044-062	200	±8	PNIRP-06V-S	PNIRP-06V-S	PNIS-06V	
6	CB030044-063	300	±8	PNIRP-06V-S	PNIRP-06V-S	PNIS-06V	
6	CB030044-064	500	±10	PNIRP-06V-S	PNIRP-06V-S	PNIS-06V	
6	CB030044-065	1000	±10	PNIRP-06V-S	PNIRP-06V-S	PNIS-06V	
7	CB030044-071	100	±6	PNIRP-07V-S	PNIRP-07V-S	PNIS-07V	
7	CB030044-072	200	±8	PNIRP-07V-S	PNIRP-07V-S	PNIS-07V	
7	CB030044-073	300	±8	PNIRP-07V-S	PNIRP-07V-S	PNIS-07V	
7	CB030044-074	500	±10	PNIRP-07V-S	PNIRP-07V-S	PNIS-07V	
7	CB030044-075	1000	±10	PNIRP-07V-S	PNIRP-07V-S	PNIS-07V	
8	CB030044-081	100	±6	PNIRP-08V-S	PNIRP-08V-S	PNIS-08V	
8	CB030044-082	200	±8	PNIRP-08V-S	PNIRP-08V-S	PNIS-08V	
8	CB030044-083	300	±8	PNIRP-08V-S	PNIRP-08V-S	PNIS-08V	
8	CB030044-084	500	±10	PNIRP-08V-S	PNIRP-08V-S	PNIS-08V	
8	CB030044-085	1000	±10	PNIRP-08V-S	PNIRP-08V-S	PNIS-08V	

AR	M	UL1061 Hook Wire, 300V, 80°C, 22A Wg., Black
4	AR	UL1061 Hook Wire, 300V, 80°C, 22A Wg., Black
3	AR	PCS 1 2.0mm Pitch, PNI Family Terminal, JST: SPND-001T-C0-5
2	PCS	1 2.0mm Pitch, PNI Family Retainer, JST: PNIS-XXV
1	PCS	1 2.0mm Pitch, PNI Family Housing, XXP, JST: PNIRP-XXVS



THE DRAWINGS & CONTROLLED DOCUMENTATION IS THE PROPERTY OF CONBEFONE. IT IS TO BE USED ONLY FOR THE PROJECT AND IS SUBJECT TO CHANGE AND THE SUPPLIER ENGINEERING DEPARTMENT SHALL BE NOTIFIED FOR ANY CHANGE. CONTACTED FOR FURTHER DETAIL.

GENERAL TOLERANCE UNLESS SPECIFIED:	APPROVED	PIN:	CONBEFONE
0 R.C. ± 0.127	R/W	SEE TABLE	www.conbehone.com
1 R.C. ± 0.127	C/T	DOCP# SD-CB030044	
2 R.C. ± 0.13	MW	CUSTOMER COPY	TITLE: 2.00MM PITCH OTS WIRE HARNESS
3 R.C. ± 0.032			JST PNI SERIES, DUAL ENDS TYPE B, TYPE BDB
4 R.C. ± 0.032			SIZE UNIT SCALE PAGE REV
ANGLES 35°			A4 MM N.T.S. 1 OF 1 A