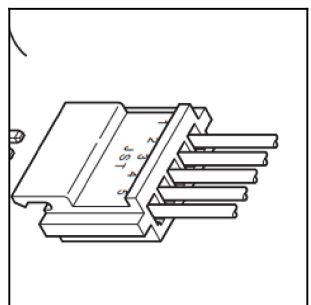


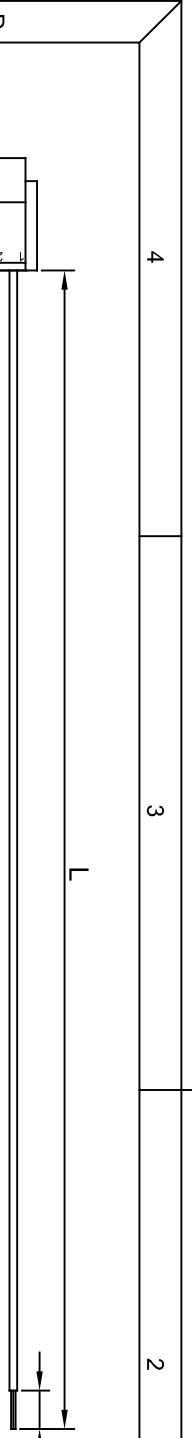
REV.	CHANG DESCRIPTION	BY	DATE
A	NEW RELEASE	MW	260317



WIRE CHART: (Black Wire)

SIDE A	SIDE B	Housing P/N
PIN 1	Black	stripped
PIN 2	Black	H20P-SHF-AA
PIN 3	Black	H20P-SHF-AA
PIN 4	Black	H20P-SHF-AA
PIN 5	Black	H20P-SHF-AA
PIN 6	Black	H20P-SHF-AA
PIN 7	Black	H20P-SHF-AA
PIN 8	Black	H20P-SHF-AA
PIN 9	Black	H20P-SHF-AA
PIN 10	Black	H20P-SHF-AA
PIN 11	Black	H20P-SHF-AA
PIN 12	Black	H20P-SHF-AA
PIN 13	Black	H20P-SHF-AA
PIN 14	Black	H20P-SHF-AA
PIN 15	Black	H20P-SHF-AA
PIN 16	Black	H20P-SHF-AA
PIN 17	Black	H20P-SHF-AA
PIN 18	Black	H20P-SHF-AA
PIN 19	Black	H20P-SHF-AA
PIN 20	Black	H20P-SHF-AA
PIN 21	Black	H20P-SHF-AA
PIN 22	Black	H20P-SHF-AA
PIN 23	Black	H20P-SHF-AA
PIN 24	Black	H20P-SHF-AA
PIN 25	Black	H20P-SHF-AA

REMARK:  
 1) ROHS 2.0 COMPLIANT.  
 2) MEET IPC-620 SPECIFICATION.



Side A

Side B

CKTS	ASSY P/N	L(MM)	Tolerance	HSG P/N
2	CB030036-021	100	±6	H2P-SHF-AA
2	CB030036-022	200	±8	H2P-SHF-AA
2	CB030036-023	300	±8	H2P-SHF-AA
2	CB030036-024	500	±10	H2P-SHF-AA
2	CB030036-025	1000	±10	H2P-SHF-AA
3	CB030036-031	100	±6	H3P-SHF-AA
3	CB030036-032	200	±8	H3P-SHF-AA
3	CB030036-033	300	±8	H3P-SHF-AA
3	CB030036-034	500	±10	H3P-SHF-AA
3	CB030036-035	1000	±10	H3P-SHF-AA
4	CB030036-041	100	±6	H4P-SHF-AA
4	CB030036-042	200	±8	H4P-SHF-AA
4	CB030036-043	300	±8	H4P-SHF-AA
4	CB030036-044	500	±10	H4P-SHF-AA
4	CB030036-045	1000	±10	H4P-SHF-AA
5	CB030036-051	100	±6	H5P-SHF-AA
5	CB030036-052	200	±8	H5P-SHF-AA
5	CB030036-053	300	±8	H5P-SHF-AA
5	CB030036-054	500	±10	H5P-SHF-AA
5	CB030036-055	1000	±10	H5P-SHF-AA
6	CB030036-061	100	±6	H6P-SHF-AA
6	CB030036-062	200	±8	H6P-SHF-AA
6	CB030036-063	300	±8	H6P-SHF-AA
6	CB030036-064	500	±10	H6P-SHF-AA
6	CB030036-065	1000	±10	H6P-SHF-AA
7	CB030036-071	100	±6	H7P-SHF-AA
7	CB030036-072	200	±8	H7P-SHF-AA
7	CB030036-073	300	±8	H7P-SHF-AA
7	CB030036-074	500	±10	H7P-SHF-AA
7	CB030036-075	1000	±10	H7P-SHF-AA
8	CB030036-081	100	±6	H8P-SHF-AA
8	CB030036-082	200	±8	H8P-SHF-AA
8	CB030036-083	300	±8	H8P-SHF-AA
8	CB030036-084	500	±10	H8P-SHF-AA
8	CB030036-085	1000	±10	H8P-SHF-AA
9	CB030036-091	100	±6	H9P-SHF-AA
9	CB030036-092	200	±8	H9P-SHF-AA
9	CB030036-093	300	±8	H9P-SHF-AA
9	CB030036-094	500	±10	H9P-SHF-AA
9	CB030036-095	1000	±10	H9P-SHF-AA

CKTS	ASSY P/N	L(MM)	Tolerance	HSG P/N
20	CB030036-101	100	±6	H10P-SHF-AA
20	CB030036-102	200	±8	H10P-SHF-AA
20	CB030036-103	300	±8	H10P-SHF-AA
20	CB030036-104	500	±10	H10P-SHF-AA
20	CB030036-105	1000	±10	H10P-SHF-AA
11	CB030036-111	100	±6	H11P-SHF-AA
11	CB030036-112	200	±8	H11P-SHF-AA
11	CB030036-113	300	±8	H11P-SHF-AA
11	CB030036-114	500	±10	H11P-SHF-AA
11	CB030036-115	1000	±10	H11P-SHF-AA
12	CB030036-121	100	±6	H12P-SHF-AA
12	CB030036-122	200	±8	H12P-SHF-AA
12	CB030036-123	300	±8	H12P-SHF-AA
12	CB030036-124	500	±10	H12P-SHF-AA
12	CB030036-125	1000	±10	H12P-SHF-AA
13	CB030036-131	100	±6	H13P-SHF-AA
13	CB030036-132	200	±8	H13P-SHF-AA
13	CB030036-133	300	±8	H13P-SHF-AA
13	CB030036-134	500	±10	H13P-SHF-AA
13	CB030036-141	1000	±10	H13P-SHF-AA
14	CB030036-141	100	±6	H14P-SHF-AA
14	CB030036-142	200	±8	H14P-SHF-AA
14	CB030036-143	300	±8	H14P-SHF-AA
14	CB030036-144	500	±10	H14P-SHF-AA
14	CB030036-145	1000	±10	H14P-SHF-AA
15	CB030036-151	100	±6	H15P-SHF-AA
15	CB030036-152	200	±8	H15P-SHF-AA
15	CB030036-153	300	±8	H15P-SHF-AA
15	CB030036-154	500	±10	H15P-SHF-AA
15	CB030036-161	1000	±10	H15P-SHF-AA
16	CB030036-161	100	±6	H16P-SHF-AA
16	CB030036-162	200	±8	H16P-SHF-AA
16	CB030036-163	300	±8	H16P-SHF-AA
16	CB030036-164	500	±10	H16P-SHF-AA
16	CB030036-165	1000	±10	H16P-SHF-AA
18	CB030036-181	100	±6	H18P-SHF-AA
18	CB030036-182	200	±8	H18P-SHF-AA
18	CB030036-183	300	±8	H18P-SHF-AA
18	CB030036-184	500	±10	H18P-SHF-AA
18	CB030036-185	1000	±10	H18P-SHF-AA