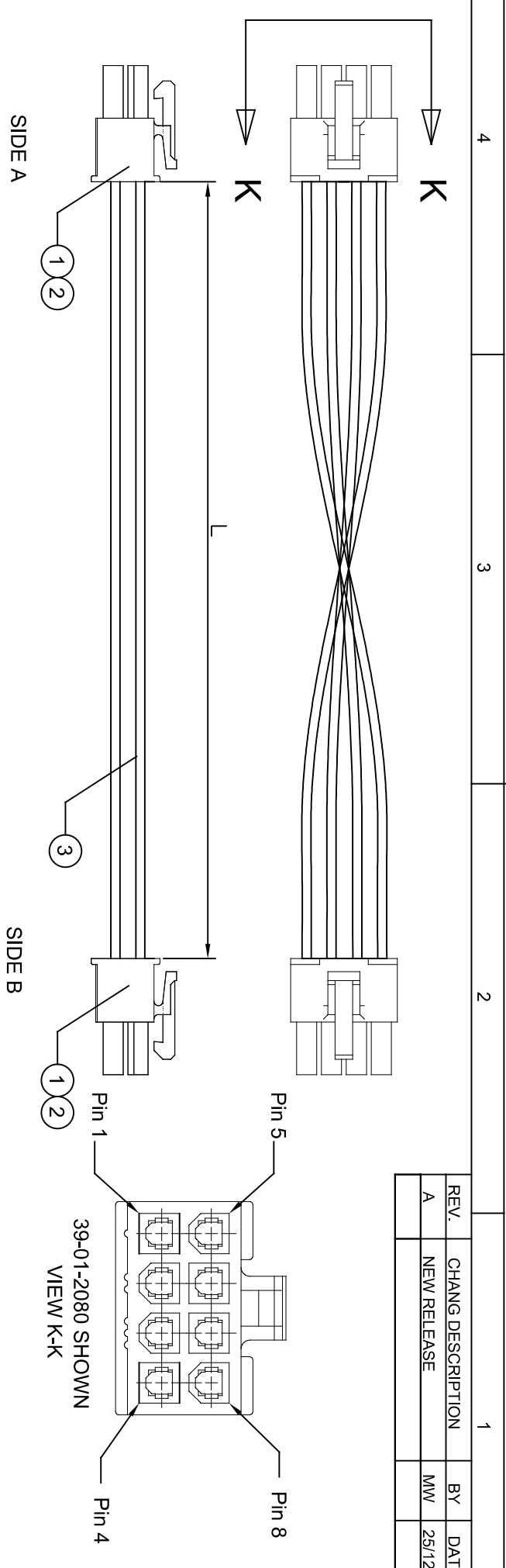


REV.	CHANG DESCRIPTION	BY	DATE
A	NEW RELEASE	MW	25/12/10



WIRE CHART:

SIDE A	SIDE B	HOUSING PIN
PN1	Red	39-01-2080
PN2	Black	39-01-2080
PN3	Yellow	39-01-2085
PN4	Green	39-01-2085
PN5	Blue	39-01-2085
PN6	White	39-01-2085
PN7	Orange	39-01-2085
PN8	Grey	39-01-2085
PN9	Brown	39-01-2085
PN10	Pink	39-01-2085
PN11	Black	39-01-2185
PN12	Black	39-01-2185
PN13	Yellow	39-01-2185
PN14	Green	39-01-2185
PN15	Blue	39-01-2185
PN16	White	39-01-2185
PN17	Orange	39-01-2185
PN18	Grey	39-01-2185
PN19	Brown	39-01-2185
PN20	Pink	39-01-2185
PN21	Black	39-01-2285
PN22	Black	39-01-2285
PN23	Yellow	39-01-2285
PN24	Green	39-01-2285

REMARK:
 1) ROHS 2.0 COMPLIANT.
 2) MEET IPC-650 SPECIFICATION.
 3) 100% OPEN/SHORT TEST.

CONBONE P/N	LEN(M)	TOLERANCE	HOUSING	CONBONE P/N	LEN(M)	TOLERANCE	WIRE COLOR	CONBONE P/N	LEN(M)	TOLERANCE	WIRE COLOR	CONBONE P/N	LEN(M)	TOLERANCE	WIRE COLOR
CB020710-021	100	±6	39-01-2025	CB020710-101	100	±6	39-01-2105	CB020710-181	100	±6	39-01-2185	CB020710-247	700	±10	39-01-2245
CB020710-022	200	±6	39-01-2025	CB020710-102	200	±6	39-01-2105	CB020710-182	200	±6	39-01-2185	CB020710-248	700	±10	39-01-2245
CB020710-023	300	±8	39-01-2025	CB020710-103	300	±8	39-01-2105	CB020710-183	300	±8	39-01-2185	CB020710-249	700	±10	39-01-2245
CB020710-024	500	±10	39-01-2025	CB020710-104	500	±10	39-01-2105	CB020710-184	500	±10	39-01-2185	CB020710-250	700	±10	39-01-2245
CB020710-025	1000	±10	39-01-2025	CB020710-105	1000	±10	39-01-2105	CB020710-185	1000	±10	39-01-2185	CB020710-251	700	±10	39-01-2245
CB020710-026	150	±10	39-01-2025	CB020710-106	150	±10	39-01-2105	CB020710-186	150	±10	39-01-2185	CB020710-252	700	±10	39-01-2245
CB020710-027	700	±10	39-01-2025	CB020710-107	700	±10	39-01-2105	CB020710-187	700	±10	39-01-2185	CB020710-253	700	±10	39-01-2245
CB020710-041	100	±6	39-01-2045	CB020710-121	100	±6	39-01-2125	CB020710-201	100	±6	39-01-2205	CB020710-254	700	±10	39-01-2245
CB020710-042	200	±6	39-01-2045	CB020710-122	200	±6	39-01-2125	CB020710-202	200	±6	39-01-2205	CB020710-255	700	±10	39-01-2245
CB020710-043	300	±8	39-01-2045	CB020710-123	300	±8	39-01-2125	CB020710-203	300	±8	39-01-2205	CB020710-256	700	±10	39-01-2245
CB020710-044	500	±10	39-01-2045	CB020710-124	500	±10	39-01-2125	CB020710-204	500	±10	39-01-2205	CB020710-257	700	±10	39-01-2245
CB020710-045	1000	±10	39-01-2045	CB020710-125	1000	±10	39-01-2125	CB020710-205	1000	±10	39-01-2205	CB020710-258	700	±10	39-01-2245
CB020710-046	150	±10	39-01-2045	CB020710-126	150	±10	39-01-2125	CB020710-206	150	±10	39-01-2205	CB020710-259	700	±10	39-01-2245
CB020710-047	700	±10	39-01-2045	CB020710-127	700	±10	39-01-2125	CB020710-207	700	±10	39-01-2205	CB020710-260	700	±10	39-01-2245
CB020710-061	100	±6	39-01-2065	CB020710-141	100	±6	39-01-2145	CB020710-221	100	±6	39-01-2225	CB020710-261	700	±10	39-01-2245
CB020710-062	200	±6	39-01-2065	CB020710-142	200	±6	39-01-2145	CB020710-222	200	±6	39-01-2225	CB020710-262	700	±10	39-01-2245
CB020710-063	300	±8	39-01-2065	CB020710-143	300	±8	39-01-2145	CB020710-223	300	±8	39-01-2225	CB020710-263	700	±10	39-01-2245
CB020710-064	500	±10	39-01-2065	CB020710-144	500	±10	39-01-2145	CB020710-224	500	±10	39-01-2225	CB020710-264	700	±10	39-01-2245
CB020710-066	1000	±10	39-01-2065	CB020710-146	1000	±10	39-01-2145	CB020710-226	1000	±10	39-01-2225	CB020710-265	700	±10	39-01-2245
CB020710-067	150	±10	39-01-2065	CB020710-147	150	±10	39-01-2145	CB020710-227	150	±10	39-01-2225	CB020710-266	700	±10	39-01-2245
CB020710-081	100	±6	39-01-2085	CB020710-161	100	±6	39-01-2165	CB020710-241	100	±6	39-01-2245	CB020710-267	700	±10	39-01-2245
CB020710-082	200	±6	39-01-2085	CB020710-162	200	±6	39-01-2165	CB020710-242	200	±6	39-01-2245	CB020710-268	700	±10	39-01-2245
CB020710-083	300	±8	39-01-2085	CB020710-163	300	±8	39-01-2165	CB020710-243	300	±8	39-01-2245	CB020710-269	700	±10	39-01-2245
CB020710-084	500	±10	39-01-2085	CB020710-164	500	±10	39-01-2165	CB020710-244	500	±10	39-01-2245	CB020710-270	700	±10	39-01-2245
CB020710-085	1000	±10	39-01-2085	CB020710-165	1000	±10	39-01-2165	CB020710-245	1000	±10	39-01-2245	CB020710-271	700	±10	39-01-2245
CB020710-086	150	±10	39-01-2085	CB020710-166	150	±10	39-01-2165	CB020710-246	150	±10	39-01-2245	CB020710-272	700	±10	39-01-2245
CB020710-087	700	±10	39-01-2085	CB020710-167	700	±10	39-01-2165	CB020710-247	700	±10	39-01-2245	CB020710-273	700	±10	39-01-2245

3	AR	M	DESCRIPTION	APPROVED	PIN:
2	AR	RCS	4.2mm PITCH EVALE TERMINAL, TIN PLATED, 18-26AWG, MOL EX3900038	RW	SEE TABLE
1	RCS	RCS	4.2mm PITCH REC.HSG,2 ROW, XXP, U194V-0, MOLEX39-01-2XX3	CT	SD-CB020710

GENERAL TOLERANCE	UNLESS SPECIFIED:	APPROVED	PIN:
9 P.C ± 0.27	1 P.C ± 0.13	RW	SEE TABLE
2 P.C ± 0.13	3 P.C ± 0.09	CT	SD-CB020710
4 P.C ± 0.09	ANGLES 3P	MW	CUSTOMER COPY

THE DRAWING IS CONTROLLED DOCUMENTATION. ANY CHANGES TO THIS DOCUMENTATION IS SUBJECT TO CHANGE AND THE SEPARATE ENGINEERING DOCUMENT FOR LATEST VERSION.

SIZE	UNIT	SCALE	PAGE	REV
A4	MM	N.T.S	1 OF 2	A